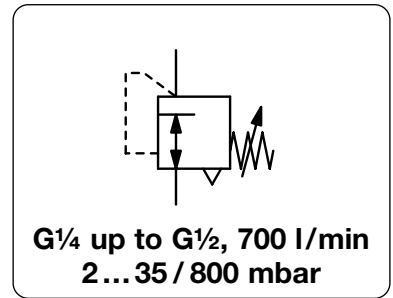
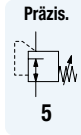


Description	Diaphragm regulator with small dimensions. Suitable for low pressure and high accuracy applications. Its special diaphragm ensure constant outlet pressure even with changing supply pressure and flow fluctuations.	
Media	compressed air or non-corrosive gases	
Recommendation	connection thread G $\frac{1}{2}$ for pressure range 0...35 / 140 / 280 mbar	
Supply pressure	max. 10 bar	
Accuracy	response sensitivity: < 0.2 mbar	Air consumption max. 2 l/min depending on outlet pressure
Adjustment	by handwheel with locknut	
Relieving function	relieving, optionally non-relieving	Relief capacity 14 l/min at 7 mbar above setpoint 70 mbar
Gauge port	G $\frac{1}{4}$ on both sides of the body, optionally $\frac{1}{4}$ NPT	
Mounting position	any	
Temperature range	0 °C to 90 °C / 32 °F to 194 °F, for appropriately conditioned compressed air down to -40 °C / -40 °F	
Material	Body: aluminium die-cast Inner valve: stainless steel and galvanised steel Elastomer: NBR/Buna-N, optionally FKM	



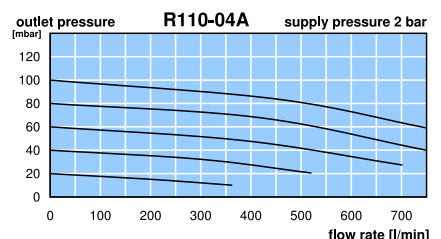
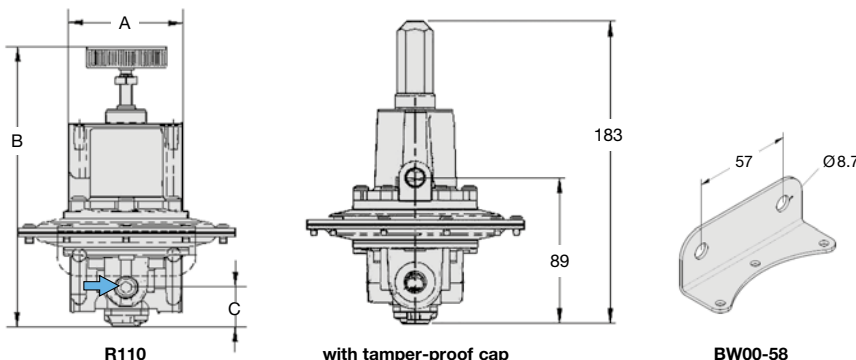
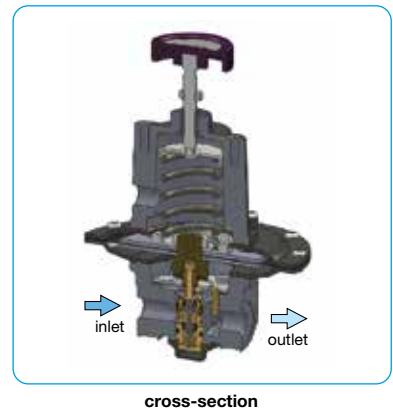
Dimensions			K _v -value (m ³ /h)	Flow rate		Connection thread G	Pressure range mbar	Order number
A	B	C		m ³ /h*1	l/min*1			

Precision regulator for low pressure								supply pressure max. 10 bar, relieving, with constant bleed	R110
67	180	25	0.4	42	700	G $\frac{1}{4}$	2... 35	R110-020	
							2... 140	R110-02A	
							2... 280	R110-02B	
							2... 400	R110-02C	
							2... 800	R110-02D	
67	180	25	0.4	42	700	G $\frac{1}{2}$	2... 35	R110-040	
							2... 140	R110-04A	
							2... 280	R110-04B	
							2... 400	R110-04C	
							2... 800	R110-04D	



Special options, add the appropriate letter		
G $\frac{3}{8}$	connection thread	R110-03 .
NPT	connection thread	R110-0 . .N
non-relieving	without constant bleed	R110-0 . .K
reduced bleeding	ca. 1 l/min	R110-0 . .X19
tapped exhaust	connection thread G $\frac{1}{4}$	R110-0 . .X12
FKM elastomer		R110-0 . .V
tamper-proof cap	aluminium, adjustment by screwdriver, total height 183 mm	R110-0 . .T

Accessories, enclosed		
pressure gauge	Ø 63 mm, 0... *2 mbar, G $\frac{1}{4}$, capsule type	MA6302-... *2
	Ø 63 mm, 0...600mbar, G $\frac{1}{4}$, Bourdon tube	MA6302-C6
	Ø 63 mm, 0... 1 bar, G $\frac{1}{4}$, Bourdon tube	MA6302-01
gauge connectors	NPT connection thread, adapter $\frac{1}{4}$ " NPT to G $\frac{1}{4}$ female	VP-0202N
mounting bracket	made of steel	BW00-58



*1 at 7 bar supply pressure, 800 mbar outlet pressure and 40 mbar pressure drop
*2 B6 = 0...60 mbar, C2 = 0...160 mbar, C3 = 0...250 mbar, C4 = 0...400 mbar

Gauges: see chapter for measuring devices

PDF CAD
www.aircom.net

* Product group
Order example:
R110-020